

LT83136ME

DESCRIPTION: Heavy Duty High Pressure Oil Reel Assembly

Oil Reel Assembly (Heavy Duty Reel; LT83136ME(specs stated below)); Includes: 40ft(12.2mtrs) x 1/2" Oil Delivery Hose; Connecting Swivel, Hose Stop, LT775ME High Volume Oil Control Valve; Reel Connections: 1/2"NPT(f).

Heavy Duty Basic Reel: Includes Swivel on the Reel; No Delivery Hose; No Connecting Hose; No Control Valve; Hose Connections: 1/2"NPT(f); **Additional Information and Specifications:** Heavy Duty Reel for Grease, Oil, Antifreeze, Water, Air with steel rollers and Heavy Steel Mounting Base.

Specifications:

Type: High Pressure: 5000 PSI

Inlet / Outlet: 1/2"(1.27CM)

Sheath Width Outside to Outside: 4-1/2" (approx)11.43CM)

Sheath Width Indiside to Indiside: 4.0" (approx)(10.2CM)

Sheath Depth: 4.0"(10.2CM)

Diameter of Sheath: 20"(50.8CM)

Base: 12-3/4"(32.4CM) x 6"(15.24CM)

Base Thickness: 1/4" Plate Steel with 4 3/8"(11.1CM) DIA mounting holes for easy mounting of the base to any support column, rafter or floor

Length of Arm: 15"(38.1CM)

Solid Metal Rollers with a diameter of: 2-1/8"(5.4CM) x 2-1/8"(5.4CM)

Applications: Grease, Oil, ATF, Antifreeze, Water, Air

Carries Hose: SAE 100R2 75 50 FT(15.2mtrs)

SAE 100R2 76A 50 FT(15.2mtrs)

SAE 100R2 76B 50 FT(15.2mtrs)

SAE100R3 73 50 FT(15.2mtrs)

SAE100R1 78 50 FT(15.2mtrs)

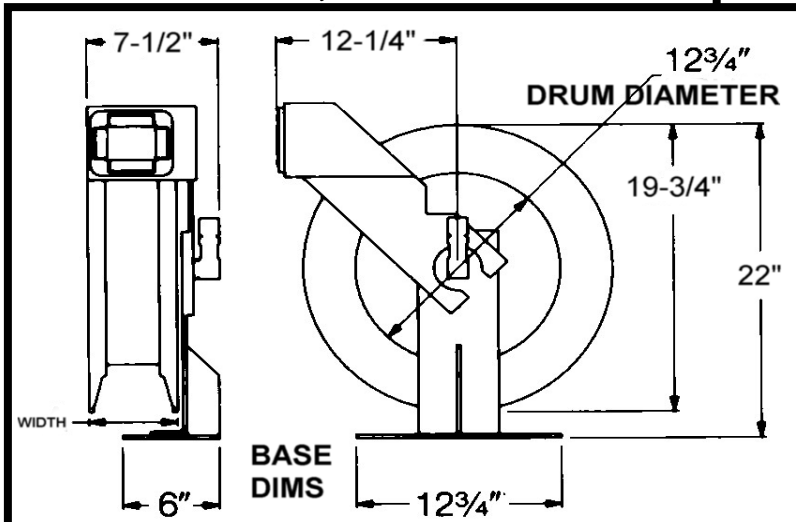
SAE 100R3 74A 40 FT((12.2mtrs)

SAE100R6 72 50 FT(15.2mtrs)

BOX Weight: 80LBS(36.3KG)

BOX Dimensions: 24" x 24" x 16" (61cm x 61cm x 40.6cm)

Application: Installed Lube in Garage, Maintenance Facility, Quick Lube, Industrial, Factory



WILLMAR INTERNATIONAL LLC / LUBE TECHNOLOGY

P.O. BOX 456; ADA, MI. 49301 USA

TEL: 616-676-1792; FAX: 616-676-1287

Contact: willmarllc@gmail.com

Website: <http://www.iserv.net/~wmograde/lube.html>



"Doing Business with the World"

WILLMARLUBE

P.O. BOX 456; ADA, MI. 49301 USA

TEL: 616-676-1792; FAX: 616-676-1287

Contact: sales@willmarlube.com

Website: <http://www.willmarlube.com>