

LT82987ME

DESCRIPTION: Heavy Duty High Flow Reel Assembly

Heavy Duty Gasoline and Diesel Reel System; 3/4" x 25ft high flow reel assembly comes complete with spring powered reel 84672; 3/4" x 25ft delivery hose 68595; (extendible up to 21 ft); ball stop 82982; and 3/4" gasoline / Diesel Valve and nozzle assembly 68594; Order Connecting Hose Separately. **Additional Information and Specifications:** Includes steel rollers and Heavy Steel Mounting Base.

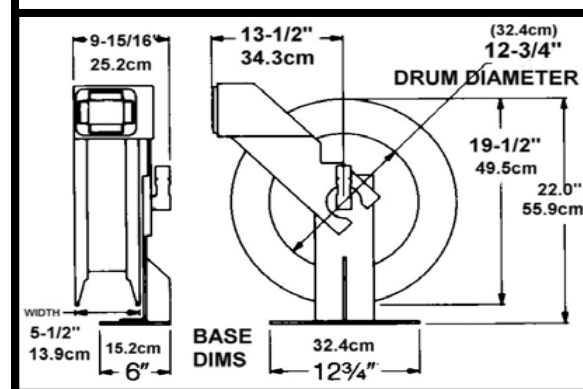
Specifications:

Type: Medium Pressure: 2000 PSI
Inlet / Outlet: 3/4" (19MM)
Sheath Width Outside to Outside: 5-1/2" (approx-13.97CM)
Sheath Width Inside to Inside: 4-7/8" (approx)(12.4CM)
Sheath Depth: 4-3/4"(12.1CM)
Diameter of Sheath: 19-1/2"(49.5CM)
Base: 12-3/4"(32.4CM) x 6"(15.24CM)
Base Thickness: 1/4" Plate Steel with 4 3/8"(11.1CM) DIA mounting holes for easy mounting of the base to any support column, rafter or floor
Length of Arm: 15"(38.1CM)
Solid Metal Rollers with a diameter of: 2-1/8"(5.4CM) x 2-1/8"(5.4CM)
Applications: Oil, ATF, Antifreeze, Water, Air
Carries Hose:
SAE100R3 73 50 FT(15.2mtrs)
SAE100R1 78 25 FT(15.2mtrs) 3/4"ID X 1-1/4" OD
SAE 100R3 74A 40 FT (12.2mtrs)
SAE100R6 74 50 FT(15.2mtrs)

BOX Weight: 80LBS

BOX Dimensions: 24" x 24" x 16" (61cm x 61cm x 40.6cm)

Application: Installed Lube in Garage, Maintenance Facility, Quick Lube, Industrial, Factory, Mines, Mining Vehicle, Service Vehicle, Lube Truck



WILLMAR INTERNATIONAL LLC / LUBE TECHNOLOGY

P.O. BOX 456; ADA, MI. 49301 USA

TEL: 616-676-1792; FAX: 616-676-1287

Contact: willmarllc@gmail.com

Website: <http://www.iserv.net/~wmogrady/lube.html>



"Doing Business with the World"

WILLMARLUBE

P.O. BOX 456; ADA, MI. 49301 USA

TEL: 616-676-1792; FAX: 616-676-1287

Contact: sales@willmarlube.com

Website: <http://www.willmarlube.com>