

# LT82206ME

## DESCRIPTION: Heavy Duty High Pressure Reel Assembly

**Heavy Duty Basic Reel:** Includes Swivel on the Reel; No Delivery Hose; No Connecting Hose; No Control Valve; Hose Connections: 1/2"NPT(f);

**Additional Information and Specifications:** Heavy Duty Reel for Grease, Oil, Antifreeze, Water, Air with steel rollers and Heavy Steel Mounting Base.

### Specifications:

Type: High Pressure: 5000 PSI

Inlet / Outlet: 1/2"(1.27CM)

Sheath Width Outside to Outside: 4-1/2" (approx)11.43CM)

Sheath Width Indiside to Inside: 4.0" (approx)(10.2CM)

Sheath Depth: 4.0"(10.2CM)

Diameter of Sheath: 20"(50.8CM)

Base: 12-3/4"(32.4CM) x 6"(15.24CM)

Base Thickness: 1/4" Plate Steel with 4 3/8"(11.1CM) DIA mounting holes for easy mounting of the base to any support column, rafter or floor

Length of Arm: 15"(38.1CM)

Solid Metal Rollers with a diameter of: 2-1/8"(5.4CM) x 2-1/8"(5.4CM)

Applications: Grease, Oil, ATF, Antifreeze, Water, Air

Carries Hose: SAE 100R2 75 50 FT(15.2mtrs)

SAE 100R2 76A 50 FT(15.2mtrs)

SAE 100R2 76B 50 FT(15.2mtrs)

SAE100R3 73 50 FT(15.2mtrs)

SAE100R1 78 50 FT(15.2mtrs)

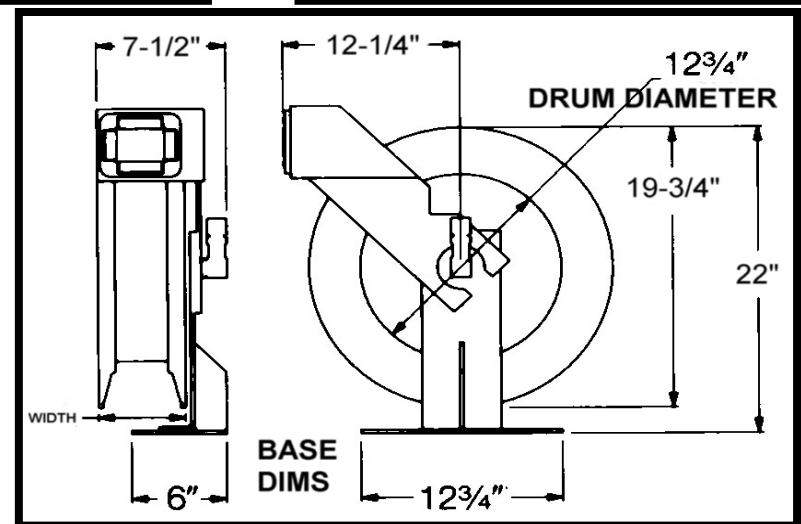
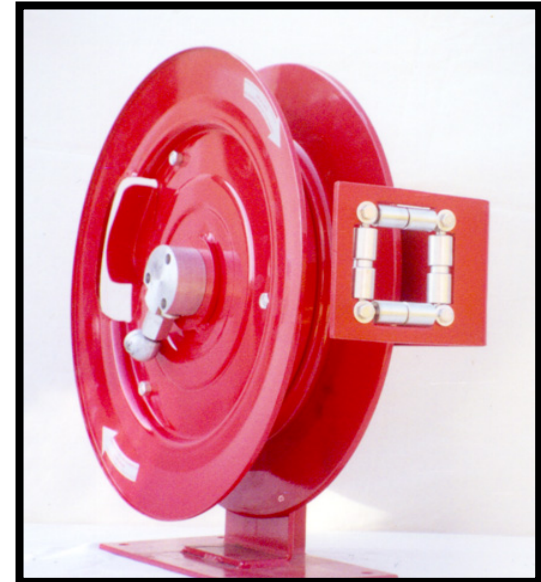
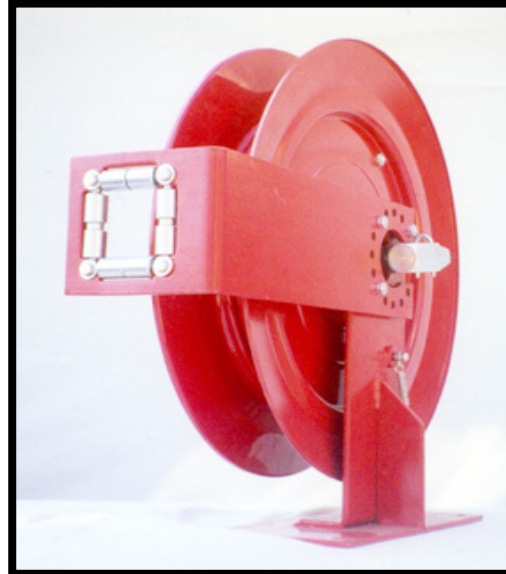
SAE 100R3 74A 40 FT((12.2mtrs)

SAE100R6 72 50 FT(15.2mtrs)

**BOX Weight:** 72LBS

**BOX Dimensions:** 24" x 24" x 16" (61cm x 61cm x 40.6cm)

**Application:** Installed Lube in Garage, Maintenance Facility, Quick Lube, Industrial, Factory



**WILLMAR INTERNATIONAL LLC / LUBE TECHNOLOGY**

**P.O. BOX 456; ADA, MI. 49301 USA**

**TEL: 616-676-1792; FAX: 616-676-1287**

**Contact: [willmarllc@gmail.com](mailto:willmarllc@gmail.com)**

**Website: <http://www.iserv.net/~wmograpy/lube.html>**



**"Doing Business with the World"**

**WILLMARLUBE**

**P.O. BOX 456; ADA, MI. 49301 USA**

**TEL: 616-676-1792; FAX: 616-676-1287**

**Contact: [sales@willmarlube.com](mailto:sales@willmarlube.com)**

**Website: <http://www.willmarlube.com>**